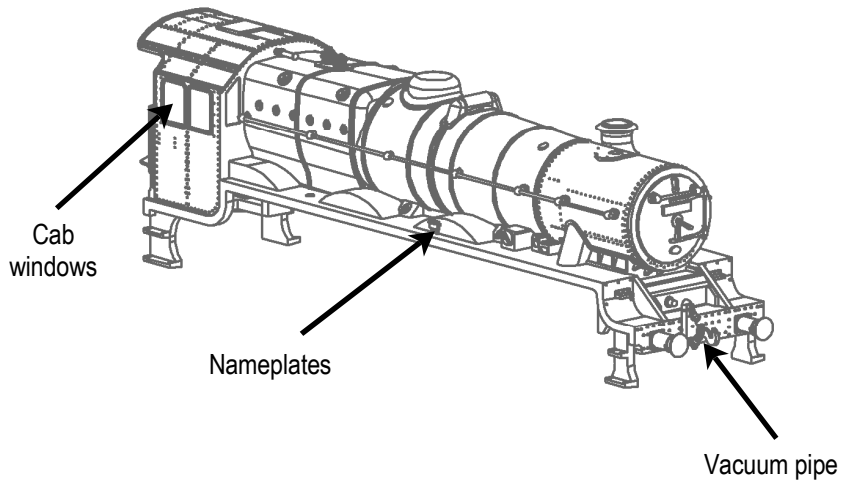


## Location of detailing parts



### Bachmann Europe Plc

Moat Way, Barwell, Leicestershire, LE9 8EY

01455 841756

[www.bachmann.co.uk](http://www.bachmann.co.uk)

Jubilee rev 1 12/07

F7247-ISO01

Thank you for your choice of the Graham Farish Stanier 'Jubilee' 4-6-0 locomotive.

### Running in

The mechanism of this model requires running in (without a load) for approximately 1 hour in each direction at moderate speed.

### Curves

This locomotive is suitable for use on track with curves of second radius (**approx. 12 inches / 300 mm**) or greater

### Body removal

Remove the two screws at front and back of the chassis as indicated on the diagram.

### Alternative bogie

This has scale sized wheels and is not suited for running on curves of less than 18 inch radius.

### Alternative tender wheel

An tender wheel without traction tyres is included as an alternative to the rear set

### DCC Decoder fitting to non DCC fitted loco

This model has an 6-pin NMRA/NEM 651 socket for a decoder with an appropriate plug. Align the decoder as indicated.

It's advisable to run in as above out using a DC power supply before moving on to fit a DCC decoder

### Lubrication

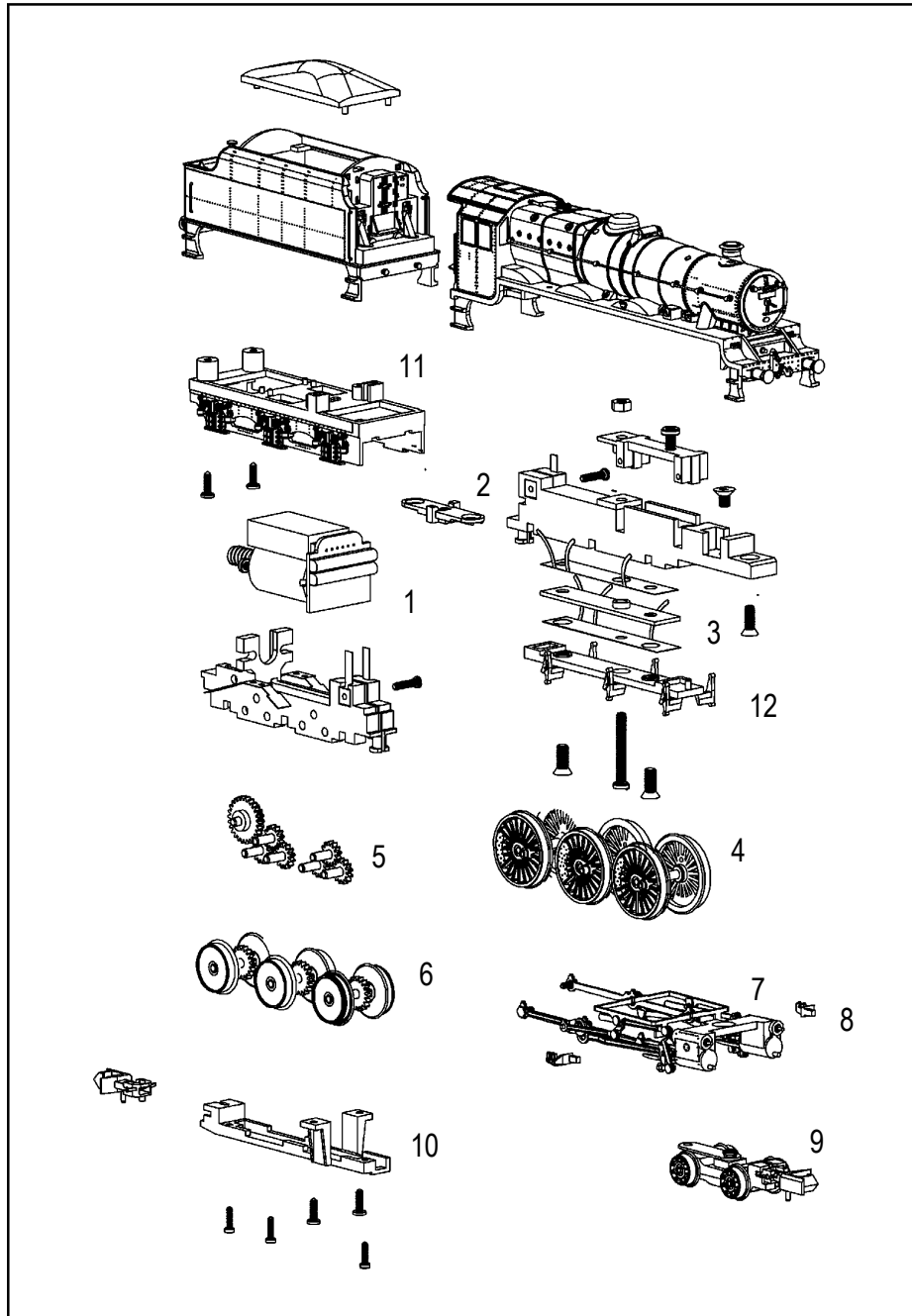
When required, sparingly lubricate the motor bearings using plastic compatible light oil and the gear train with model grease. Suitable lubricants are Bachmann E-Z Lube item 99984 or Woodland Scenics 'HobbyLube' Lite Oil item HL654.

### Add-on detail parts.

The vacuum pipes and cab windows fit as shown on the diagram.

### Nameplates

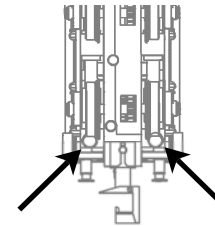
Etched nameplates are included. Cut from the fret with a small pair of side cutters and fix in place on the plate on the front splasher with a smear of glue



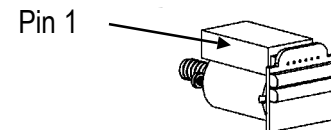
### Parts

- |   |                    |    |                                   |
|---|--------------------|----|-----------------------------------|
| 1 | Motor              | 8  | Motion bracket                    |
| 2 | Drawbar            | 9  | A - Front bogie with small wheels |
| 3 | Pickups            |    | B - Front bogie with scale wheels |
| 4 | Driving wheels     | 10 | Tender baseplate                  |
| 5 | Gears              | 11 | Tender underframe                 |
| 6 | Tender wheels      | 12 | Loco baseplate                    |
| 7 | Cylinders / motion |    |                                   |

### Location of tender shell securing screws

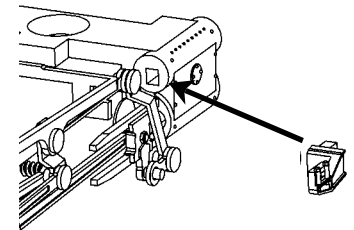


### DCC Decoder fitting



Carefully remove the blanking board above the motor and replace with a decoder having a NMRA/NEM 651 6-pin fitting.

### Fitting valve guides



The valve guides fit into the holes in the back of the cylinder chest as indicated. There are two spare items included in the packet.

### Alternative front bogie

- To fit:
- ease the front baseplate screw a couple of turns
  - unhook the existing bogie
  - hook the replacement bogie over the moulded peg
  - tighten screw

### Traction tyres

Replacement traction tyres are available from retailers - item 379-420